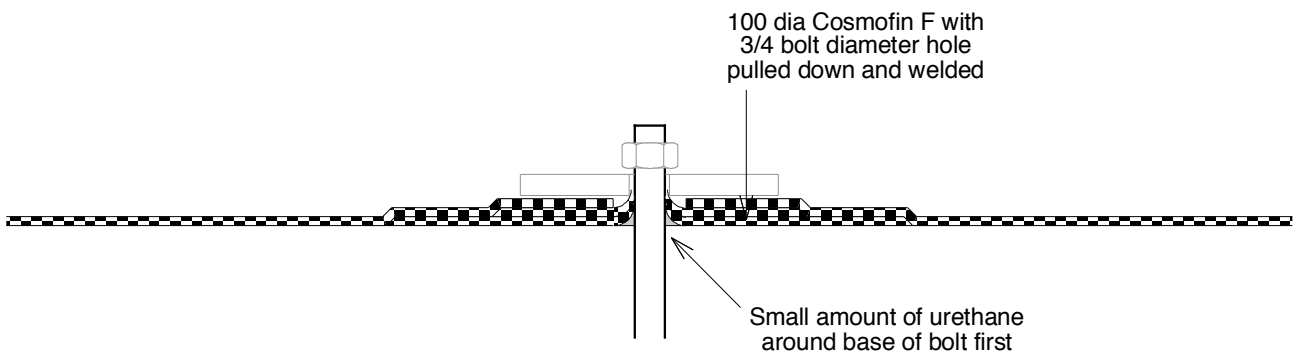


Shows the case where the device is separated from the membrane by a tile bed or similar. Also drawn to show a bolt drilled later.



TYPICAL DETAIL AT BOLTS
PENETRATING MEMBRANE
(HANDRAILS, BASE PLATES, PLANT & EQUIPMENT)

DETAIL SD 9.02

<p>This drawing is intended to show basic principles and set minimum standards. Any variation in site conditions is to be referred to Projex for approval of the required detail. The thickness scale on this drawing is exaggerated for clarity.</p>		<p>COMMENTS / ASSOCIATED DRAWINGS</p>	
<p>© PROJEX GROUP PTY LTD</p>		<p>Scale: 1: 5</p>	
<p>Standard Guide Details</p>		<p>Bolt Details</p>	
		<p>Date: Feb 2006</p>	
		<p>Dwg No: C - 9.02</p>	